



Metrologic®
We really work for you.™

MS3780 Fusion™

Fusion™ is an affordable hand-held omnidirectional laser scanner with single-line capability that increases retail checkout system efficiency with its automatic in-stand operation, optionally integrated EAS, and industry-leading scan performance.

Metrologic's Fusion combines omnidirectional and single-line laser bar code scanning into a lightweight, ergonomic hand-held form factor. The 20-line scan pattern provides superior scanning over existing single-line hand-held scanners making Fusion ideal for medium-volume retailers including specialty stores, pharmacies, liquor stores, and convenience stores.

An adjustable stand with 50° of tilt and three locking positions provides flexibility for the user to position the scanner for individual comfort and optimal performance. Stabilized with a weighted metal base, the stand may also be hard-mounted to counters or walls.

Fusion also includes CodeGate®, a Metrologic patented feature used in the highly successful Voyager® Series. An integrated infra-red (IR) sensor automatically activates the laser when a bar code is present. The user then properly aligns the bar code before pressing the button, transmitting the data to the host. This feature provides the ability to pass over other bar codes, selecting only the required code. No other scanner offers this much control.

Standard features such as Flash ROM, MetroSelect® and MetroSet2® programming, and user replaceable cables protect your investment by enabling Fusion to grow with you and your application requirements.

www.metrologic.com

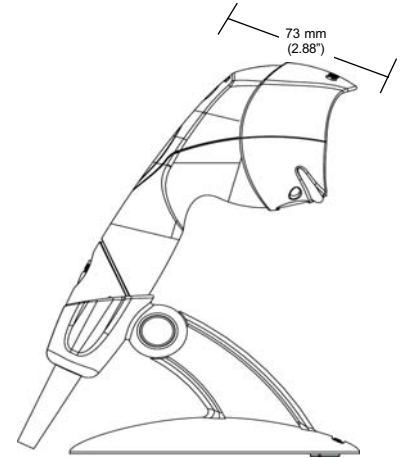
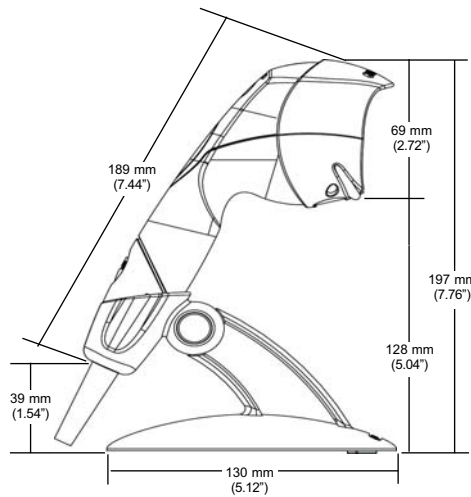
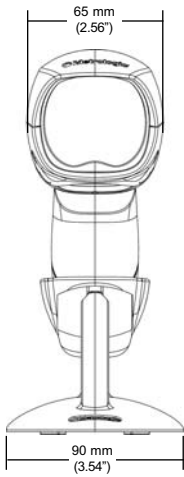


FEATURES

- Primary omnidirectional scan pattern
- Secondary single-line scan pattern
- Automatic stand detection
- Sleep mode with IR wake up
- Optional EAS integration

BENEFITS

- Aggressive scanning of bar codes in any orientation, increasing throughput
- With a push of a button, switch to a targeted single-line for menu scanning
- Hands-free operation for presentation scanning, reducing operator fatigue
- Multiple sleep modes reduce power consumption, extending life and lowering cost of operation
- Deactivate an EAS tag and decode a bar code in a single scan



OPERATIONAL

Light Source	Visible Laser Diode 650 nm
Laser Power	1.1 mW (peak)
Decode Capability	Autodiscriminates all standard 1D bar codes, including RSS-Expanded, RSS-14 and RSS-14 Limited; for other symbologies call Metrologic
System Interfaces	RS232, Keyboard Wedge, Stand Alone Keyboard, IBM 468x/469x, USB, OCIA
Number Characters Read	Up to 80 data characters
Beeper Operation	7 tones or no beep
Indicators	Blue = laser on, ready to scan White = good read

MECHANICAL

Length (scanner only)	189 mm (7.44")
Width (scanner only)	65 mm (2.56")
Height (scanner only)	73 mm (2.88")
Weight (scanner only)	195 g (6.9 oz)
Termination	10 position modular RJ45 connector
Cable	Standard 2.1 m (7') straight; optional 2.7 m (9') coiled for other cables call Metrologic

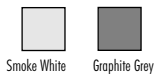
ELECTRICAL

Input Voltage	5 VDC ± 0.25 V
Power	1.375 W
Operating Current	275 mA typical @ 5 VDC
DC Transformers	Class 2; 5.2 VDC @ 650 mA
Laser Class	Class 1; IEC60825-1:1993/A1:1997 + A2:2001 Class 1; EN60825-1:1994/A11:1996 + A2:2001
EMC	FCC, ICES-003 & EN55022 Class B

ENVIRONMENTAL

Operating	-20°C to 40°C (-4°F to 104°F)
Storage Temperature	-40°C to 60°C (-40°F to 140°F)
Humidity	5% to 95% relative humidity, non-condensing
Light Levels	Up to 4842 Lux (450 footcandles)
Contaminants	Sealed to resist airborne particulate contaminants
Ventilation	None required
Drop/Shock	Withstands multiple 1.5 m drops

Product Colors Available

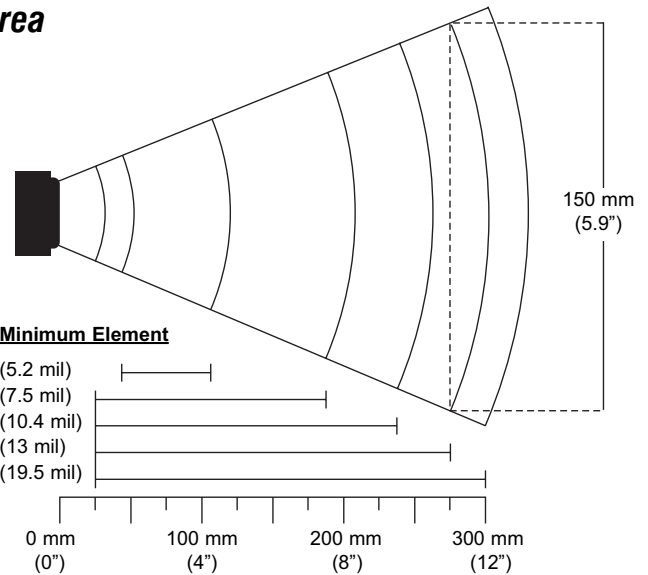


MS3780 is available in a variety of other colors with minimum quantity purchase

SCAN PERFORMANCE

Depth of Scan Field (programmable)	25 mm - 279 mm (1" - 11") for 0.33 mm (13 mil) bar code at default setting
Width of Scan Field	30 mm (1.2") @ 25 mm (1.0"); 150 mm (5.9") @ 280 mm (11.0")
Scan Speed	1,333 scan lines/sec, omnidirectional; 67 scan lines/sec, single-line
Scan Pattern	5 fields of 4 parallel lines omnidirectional; or button activated single line
Number of Scan Lines	20 (omnidirectional); or 1 (single-line)
Minimum Bar Width	0.127 mm (5.0 mil)
Print Contrast	35% minimum reflectance difference
Roll, Pitch, Yaw	360°, 60°, 60°

Scan Area



Bar Code Minimum Element

- 0.132 mm (5.2 mil)
- 0.191 mm (7.5 mil)
- 0.264 mm (10.4 mil)
- 0.330 mm (13 mil)
- 0.495 mm (19.5 mil)



Sunrise 2005 Compliant



www.metrologic.com

ISO 9001:2000

Metrologic Instruments, Inc. | **Worldwide Headquarters**
 90 Coles Road | Blackwood, NJ 08012-4683 | info@metrologic.com
 Telephone 856-228-8100 | Fax 856-228-6673

Asian Headquarters
 Tel. 65.6842.7155
 info@sg.metrologic.com

European Headquarters
 Tel. 49.89.89019.0
 info@eu.metrologic.com

The Americas Headquarters
 Tel. 1.800.ID.METRO
 info@us.metrologic.com

Specifications subject to change without notice.
 Printed U.S.A., Copyright October 2005
 Metrologic, All rights reserved.



DS3780