



2015

Product Information

ADVANTAGES OF THE MTS MANUAL TRANSFER

1. THE MOST VERSATILE

Assembled from CUTLER-HAMMER CH and BR (old Challenger/Westinghouse), GENERAL ELECTRIC, ITE,SQUARE 'D' QO AND Homline panels. You have your choice of installing 120 or 240 volt circuit for whatever amperage you need for your loads. You can install GFI circuit breakers where it is required by code. Models available with up to 40 breaker spaces for branch circuits.

2. SUITABLE FOR USE WITH PORTABLE GENERATORS.

Most portable generators do not have a grounded neutral. The MTS panel-board grounds the generator to the grounded system of the building it serves.

3. SUITABLE FOR SERVICE EQUIPMENT.

The MTS panel-board can be used as a main service disconnect on all panels.

4. SINGLE PHASE AND TREE PHASE MODELS AVAILABLE.

From 60 Amps to 200 Amps, 120/240 VAC, for residential / lit. commercial and up to 800 Amps, 600 VAC, for heavy commercial/industrial use.

5. EASY TO INSTALL.

As simple as installing a sub-panel. Simply install a nipple between you existing circuit breaker panel and the transfer switch. All wires between your existing circuit breaker panel and the transfer switch can be in the same conduit without de-rating, if the nipple is not over 24 inches long.

6. NEAT APPERARANCE.

Surface or flush mount matches your existing circuit breaker panel. If you install the transfer switch outdoors, it is a neat appearing NEMA 3R outdoor enclosure.

7. RELIABLE.

Full five-year guarantee, Tested by Underwriters Laboratories Inc. for 10,000 cycles, simulating the interlock mechanism going from normal utility power to generator, without showing any sign of wear. The test was equal to having a power outage every day for twenty-five years.

Table of Contents

CUTLER HAMMER “BR”

60-125A PANELS pg 4

200 A PANELS pg 5

CUTLER HAMMER “CH”

60-125A PANELSpg6

200A PANELSpg7

SDUARE ‘D’ QO & HOM

60-125A PANELS pg8

200A PANELS Pg9

SIEMENS/ITE

60-125A PANELS pg10

200A PANELS Pg11

CUTLER HAMMER BR 60A-125A



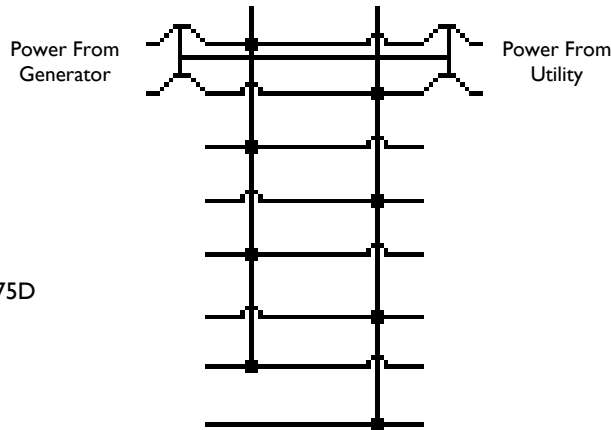
MTS 60-(8-12)-BR

UP TO 125 AMP ON MAIN BREAKER AND
GENERATOR BREAKER
IDEAL FOR SUB-PANEL USE
8 - 20 POLES AVAILABLE

**Aluminum Bussing
10KAIC Rating**

WMTS 60-(8-12)-BR

UP TO 125 AMP ON MAIN BREAKER AND
GENERATOR BREAKER
NEMA 3R ENCLOSURE
IDEAL FOR SUB-PANEL USE
8 - 20 POLES AVAILABLE



DIMENTIONS

14.3125W X 18.75H X 3.875D

DIMENTIONS

15W X 19H X 5D

INDOOR CATALOG NUMBERS

60 AMP PANELS 100 AMP PANELS 125 AMP PANELS

MTS 60-(8-12)-BR MTS 100-(12-20)-BR MTS 125-(12-20)-BR

OUTDOOR CATALOG NUMBERS

60 AMP PANELS 100 AMP PANELS 125 AMP PANELS

WMTS 60-(8-12)-BR WMTS 100-(12-20)-BR WMTS 125-(12-20)-BR

CUTLER HAMMER BR 200 AMP PANELS



LISTED

MTS 200-(26-40)-BR

200 AMP MAIN
 NEMA 3R AND NEMA I
 ENCLOSURES AVAILABLE
 26-40 POLES
 36-40 POLES
 IDEAL FOR RETROFIT
 OR NEW HOMES
 MAKING THEM
 GENERATOR READY
 PANELBOARD DOUBLES AS
 TRANSFER SWITCH
 FOR PORTABLE OR PERMANENT
 GENERATOR HOOK-UP
 ALUMINUM BUSS
 10K AIC

*Last numbers of Catalog number denote Amperage of Generator breaker.

INDOOR CATALOG NUMBERS

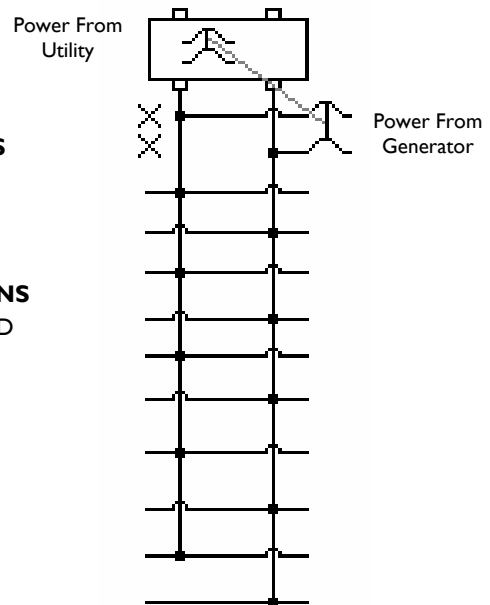
MTS 200-(26-40)-BR-30
MTS 200-(36-40)-BR-30

INDOOR DIMENTIONS
14.3125W X 34.125H X 3.875D
14.3125W X 39H X 3.875D

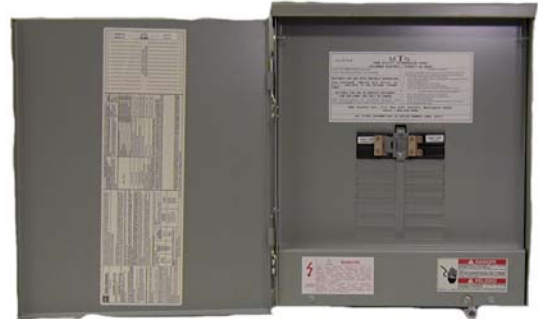
OUTDOOR CATALOG NUMBERS

WMTS 200-(26-40)-BR-30
WMTS 200-(36-40)-BR-30

OUTDOOR DIMENTIONS
14.3125W X 34.125H X 5D
14.3125W X 40H X 5D



CUTLER HAMMER CH 60A-125A

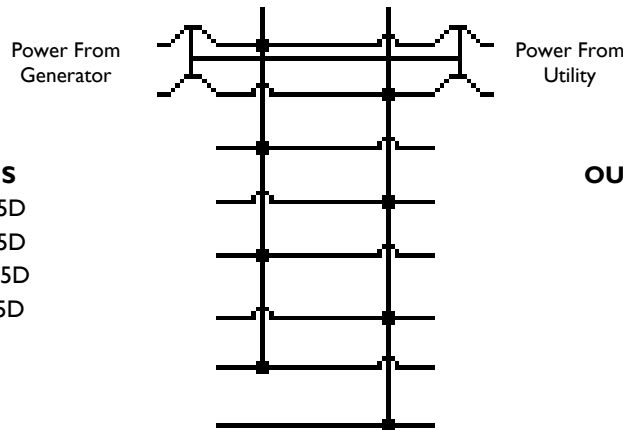


MTS 60-08-CH

UP TO 125 AMP ON MAIN BREAKER AND GENERATOR
BREAKER
IDEAL FOR SUB-PANEL USE
8 - 24 POLES AVAILABLE
SUB-FEED LUGS AVAILABLE ON SOME CONFIGURATIONS

WMTS 60-08-CH

UP TO 125 AMP ON MAIN BREAKER AND GENERATOR
BREAKER
NEMA 3R ENCLOSURE
IDEAL FOR SUB-PANEL USE
8 - 24 POLES AVAILABLE
SUB-FEED LUGS AVAILABLE ON SOME CONFIGURATIONS



INDOOR DIMENTIONS

14.3125W X 16.75H X 3.875D
14.3125W X 16.75H X 3.875D
14.3175W X 21H X 3.875D
14.3175W X 29.125H X 3.875D

OUTDOOR DIMENTIONS

14W X 17H X 5D
14W X 17H X 5D
14W X 17H X 5D
15W X 30H X 5D

INDOOR CATALOG NUMBERS

60 AMP PANELS 100 AMP PANELS 125 AMP PANELS

MTS 60-08-CH	MTS 100-08-CH	MTS 125-08-CH
MTS 60-12-CH	MTS 100-12-CH	MTS 125-12-CH
	MTS 100-20-CH	MTS 125-20-CH
		MTS 125-24-CH

OUTDOOR CATALOG NUMBERS

60 AMP PANELS 100 AMP PANELS 125 AMP PANELS

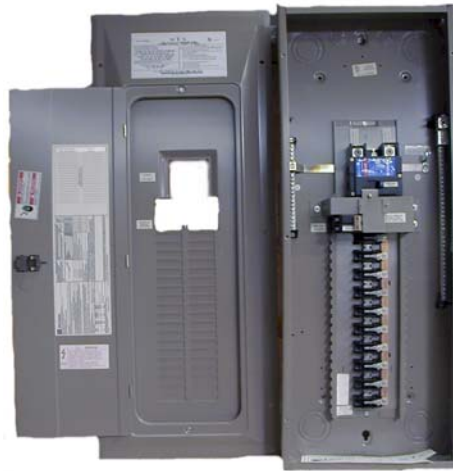
WMTS 60-08-CH	WMTS 100-08-CH	WMTS 125-08-CH
WMTS 60-12-CH	WMTS 100-12-CH	WMTS 125-12-CH
	WMTS 100-20-CH	WMTS 125-20-CH
		WMTS 125-24-CH

CUTLER HAMMER CH 200 AMP



WMTS-M-200-6-CH

200 AMP METER SOCKET
SUITABLE FOR MOBILE HOME WITH
PROVISION FOR GENERATOR HOOKUP
NEMA 3R ENCLOSURE
6 POLES FOR UP TO 125 AMPS SUBFEED
200 AMP SUBFEED LUGS ON BOTTOM
38 POLES ALSO AVAILABLE



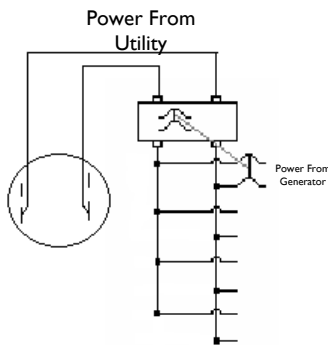
MTS 200-38-CH

200 AMP MAIN
NEMA 3R AND NEMA I ENCLOSURES
AVAILABLE
38 POLES
IDEAL FOR RETROFIT OR NEW HOMES
MAKING THEM GENERATOR READY
PANELBOARD DOUBLES AS TRANSFER SWITCH
FOR PORTABLE OR PERMANENT
GENERATOR HOOK-UP



WMTS 200-(2-4)-CH

200 AMP MAIN
NEMA 3R ENCLOSURE
2 DOUBLE POLES OR 4 SINGLE POLE
IDEAL FOR RETROFIT BETWEEN METER
AND MAIN PANEL
MAKING THEM GENERATOR READY
200 AMP SUBFEED LUGS ON BOTTOM
FOR PORTABLE OR PERMANENT
GENERATOR HOOK-UP



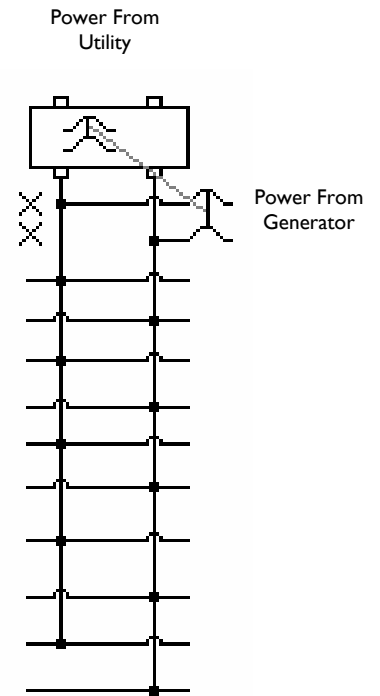
DIMENTIONS
14W X 29H X 7D

INDOOR CATALOG NUMBERS	OUTDOOR CATALOG NUMBERS
MTS 200-38-CH-30	WMTS 200-38-CH-30

***Last numbers of Catalog number denote
Amperage of Generator breaker.**

INDOOR DIMENTIONS
14.3125W X 37H X 3.875D

OUTDOOR DIMENTIONS
14.5W X 40H X 5D



DIMENTIONS
14.5W X 30H X 5D

125 Amp Max. on Generator

SQUARE 'D' 60A-125A

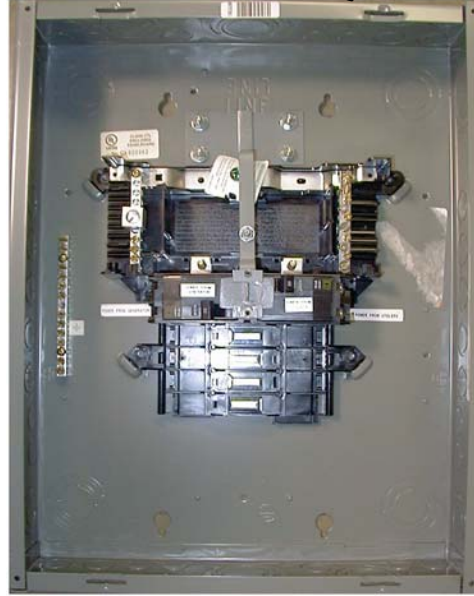
INDOOR CATALOG NUMBERS

60 AMP PANELS MTS 60-08-SDQ
MTS 60-12-SDQ
100 AMP PANELS MTS 100-20-SDQ
125 AMP PANELS MTS 125-20-SDQ

OUTDOOR CATALOG NUMBERS

60 AMP PANELS WMTS 60-08-SDQ
WMTS 60-12-SDQ
100 AMP PANELS WMTS 100-20-SDQ
125 AMP PANELS WMTS 125-20-SDQ

MTS 60-08-SDQ



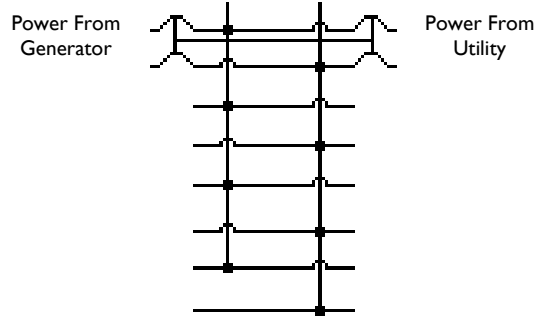
MTS 60-(6-12)-SDH

CATALOG NUMBERS

60 AMP PANELS MTS 60-(6-12)-SDH
100 AMP PANELS MTS 100-20-SDH
125 AMP PANELS MTS 125-20-SDH

DIMENTIONS

14.25W X 20.92H X 3.75D
14.25W X 26.04H X 3.75D
14.25W X 26.04H X 3.75D



INDOOR DIMENTIONS

14.25W X 17.92H X 3.75D
14.25W X 20.92H X 3.75D
14.25W X 20.92H X 3.75D
14.25W X 20.92H X 3.75D

OUTDOOR DIMENTIONS

15W X 18H X 5D
15W X 22H X 5D
15W X 22H X 5D
15W X 22H X 5D

UP TO 125 AMP ON MAIN BREAKER
AND GENERATOR BREAKER
IDEAL FOR SUB-PANEL USE
8 - 20 POLES AVAILABLE
SUB-FEED LUGS AVAILABLE
NICKEL PLATED COPPER BUSS



UP TO 125 AMP ON MAIN BREAKER
AND GENERATOR BREAKER
IDEAL FOR SUB-PANEL USE
6-20 POLES AVAILABLE
ALUMINUM BUSS ONLY

SQUARE 'D' 200A



MTS 200-36-SDH

200 AMP MAIN
36 POLES
IDEAL FOR RETROFIT OR NEW HOMES
MAKING THEM GENERATOR READY
PANELBOARD DOUBLES AS
TRANSFER SWITCH
FOR PORTABLE OR PERMANENT
GENERATOR HOOK-UP
ALUMINUM BUSS

WMTS 200-(4-8)-SDQ

200 AMP MAIN
NEMA 3R ENCLOSURE
2 DOUBLE POLES OR 8 SINGLE POLE
IDEAL FOR RETROFIT BETWEEN
METER AND MAIN PANEL
MAKING THEM GENERATOR READY
200 AMP SUBFEED LUGS ON BOTTOM
FOR PORTABLE OR PERMANENT
GENERATOR HOOK-UP

MTS 200-(36-40)-SDQ

200 AMP MAIN
NEMA 3R AND NEMA 1
ENCLOSURES AVAILABLE
(26-40) - (36-40) POLES
IDEAL FOR RETROFIT OR NEW HOMES
MAKING THEM GENERATOR READY
PANELBOARD DOUBLES AS
TRANSFER SWITCH
FOR PORTABLE OR PERMANENT
GENERATOR HOOK-UP

CATALOG NUMBERS

MTS 200-36-SDH-30

DIMENTIONS

14.25W X 39.73H X 3.75D

CATALOG NUMBERS

WMTS 200-(2-4)-SDQ-30

DIMENTIONS

15W X 31H X 5D

INDOOR	OUTDOOR
CATALOG NUMBERS	CATALOG NUMBERS

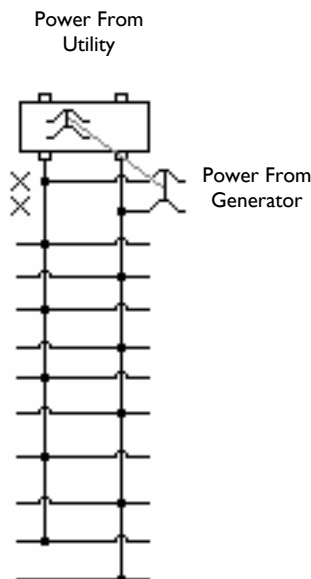
MTS 200-(26-40)-SDQ-30	WMTS 200-(26-40)-SDQ-30
MTS 200-(36-40)-SDQ-30	WMTS 200-(36-40)-SDQ-30

INDOOR DIMENTIONS

14.25W X 29.86H X 3.75D
14.25W X 33.78H X 3.75D

OUTDOOR DIMENTIONS

15W X 31H X 5D
15W X 35H X 5D



SIEMENS 60A-125A



MTS 100-(12-20)-I

**INDOOR
CATALOG NUMBERS**

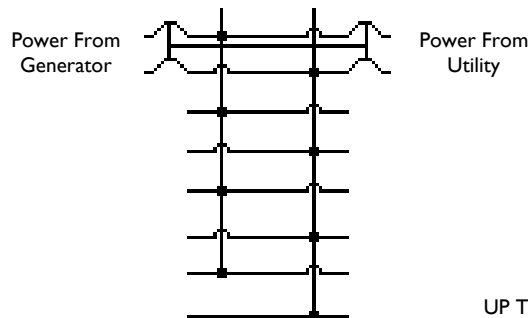
60 AMP PANELS	MTS 60-(8-12)-I
100 AMP PANELS	MTS 100-(12-20)-I
125 AMP PANELS	MTS 125-(16-26)-I



WMTS 100-(12-20)-I

**OUTDOOR
CATALOG NUMBERS**

60 AMP PANELS	WMTS 60-(8-12)-I
100 AMP PANELS	WMTS 100-(12-20)-I
125 AMP PANELS	WMTS 125-(16-26)-I



UP TO 125 AMP ON MAIN BREAKER
AND GENERATOR BREAKER
IDEAL FOR SUB-PANEL USE
8 - 26 POLES AVAILABLE
SUB-FEED LUGS AVAILABLE
COPPER BUSS

INDOOR DIMENTIONS

14.3125W X 21H X 3.9375D
14.3125W X 21H X 3.9375D
14.3125W X 30H X 3.9375D

UP TO 125 AMP ON MAIN BREAKER
AND GENERATOR BREAKER
NEMA 3R
IDEAL FOR SUB-PANEL USE
8 - 26 POLES AVAILABLE
SUB-FEED LUGS AVAILABLE
COPPER BUSS

**OUTDOOR
DIMENTIONS**

14W X 22H X 5D
14W X 22H X 5D
14W X 25H X 5D

SIEMENS 200A

MTS 200-(36-40)-I



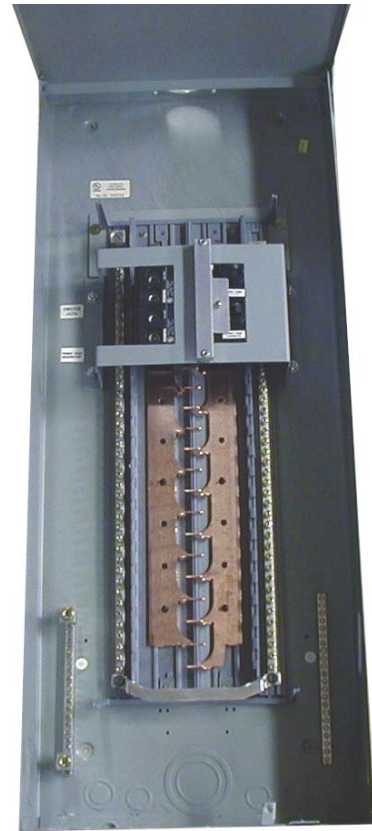
INDOOR CATALOG NUMBERS

- MTS 200-(16-32)-I-30
- MTS 200-(36-40)-I-30
- MTS 200-(8-16)-I-200
- MTS 200-28-I-200



LISTED

CELL SITE PANEL



WMTS 200-28-I-200

OUTDOOR CATALOG NUMBERS

- WMTS 200-(16-32)-I-30
- WMTS 200-(36-40)-I-30
- WMTS 200-(8-16)-I-200
- WMTS 200-28-I-200

**200 AMP MAIN
NEMA 3R AND NEMA I
ENCLOSURES AVAILABLE
(16-32) POLES
(36-40) POLES**

**IDEAL FOR RETROFIT
OR NEW HOMES**

**MAKING THEM GENERATOR
READY**

**PANELBOARD DOUBLES AS
TRANSFER SWITCH
FOR PORTABLE OR PERMANENT
GENERATOR HOOK-UP**

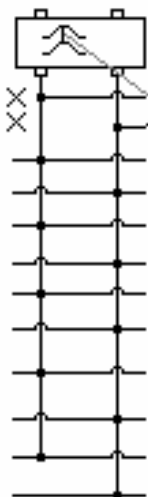
INDOOR DIMENTIONS

- 14.3125W X 30H X 3.9375D
- 14.3125W X 39H X 3.9375D
- 14.3125W X 30H X 3.9375D
- 14.3125W X 39H X 3.9375D

OUTDOOR DIMENTIONS

- 14W X 36H X 5D
- 14W X 40H X 5D
- 14W X 36H X 5D
- 14W X 40H X 5D

Power From
Utility



Power From
Generator

